

Flexcomm FIDS24MM1 PMC Board



Product Overview

FIDS24MM1 PMC card is a high-performance processing element that utilizes Intel® IXP2400 network processor which is a low power and high performance XScale CPU. The FIDS24MM1 offers OEMs a standard module to easily customize and upgrade designs and reduce time to market. With carrier board, it can be used in broadband access and edge service markets such as broadband access (Intelligent DSLAM), metro routers, edge service and 2.5/3G wireless (CDMA2000 or WCDMA system), security (IDS, Firewall).

Product Highlights

- Accelerates time-to-market of broadband products based on IXP2400, TCAM
- Self-defined PMC card
- FIDS SDK 2.0 include:
 1. BSP/ Drivers for RT Linux and VxWorks
 2. Reference design.
 3. Documents of system structure/ software structure/ interface spec.

Features and Benefits

- Hardware, software, document and tools form a total platform.

Flexcomm FIDS24MM1 Board

The FIDS24MM1 Network Processor Card includes a 600 MHz IXP2400 network processor with SPI3 traffic bus and a memory subsystem consisting of 16 Mbytes of flash memory (up to 32M), 8 Mbytes of QDR SRAM, and 256 Mbytes of DDR DRAM (up to 512M). Other components include a 9Mb TCAM, an Intel 82559 Fast Ethernet chip.

FIDS24MM1 SDK

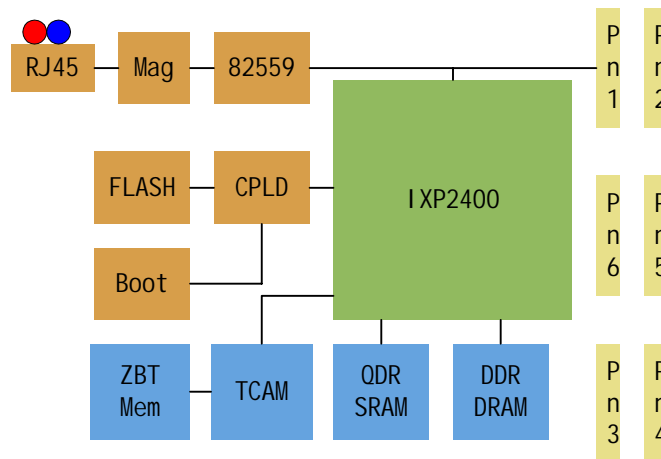
- BSP/ Drivers for LINUX and VxWorks
- Some building blocks from Intel:
 1. Queue management
 2. Transmit scheduling
 3. Interface to the TCP/IP stack on the Intel XScale core

Physical Description

Description	Specification
Physical Dimensions	149mm * 74mm
Power	35 Watts (max.)
Operating Tem	0° to 50° C
Storage Tem	-20° to 60° C

Features	Benefits
FIDS24MM1 – Network Processor Card	
Intel®IXP2400 network processor	A flexible and intelligent network processor
Memory subsystem - 256 MB DDR DRAM (up to 512Mb), 8 MB QDR SRAM, 9Mb TCAM	Fast table-lookup support
16 MB FLASH (up to 64MB)	Hardware platform to meet various requirement
Intel 82559 Fast Ethernet Multifunctional PCI Bus Controller	Communication with the Intel®IXP2400 network processor for hardware debug capability, speeds test code downloading
SRAM connector	
FIDS24MM1 SDK 1.0	
Software libraries and micro-code macros	Accelerated software development to speed time-to-market, efficient using of control stores
Sample applications code, boot code, and Diagnostics function	
Device drivers	
BSP for VxWorks, Linux	

Block Diagram



Pn definition:

Pn1: SlowPort and part of PCI interface

Pn 2: part of PCI interface and 3.3V power

Pn 3/ Pn 4: MFS(TX)

Pn 5/ Pn 6: MFS (RX)

Flexcomm Access

WEB page

www.flexcomm.com.cn

Support Email

support@flexcomm.com.cn

Phone support

86-21-54109840,54109960,54109892

Address:

12F, Xu Hui Yuan Building, No. 1089 Zhongshan No.2 Road(S), Shanghai, China